

2-Piece Snap-On Compression

Description:

The 2-Piece Snap-On Compression system may be used as a perimeter flashing for single-ply roofing systems. The system consists of a 24-gauge Galvalume® base and a snap-on metal cover.

- Base and cover is fabricated in 10' lengths; 3" – 8" widths.
- Cover is double-hemmed to prevent roof material from excessive wear.
- Ready-to-assemble inside and outside corners are available in flat face.
- Both sizes available in flat face profiles.

Energy Efficiency:

LEED® and ENERGY STAR® compliant.

Installation:

1. A wood nailer is required if 1" or greater of insulation is used.
2. This nailer should be attached to the wall in accordance with ANSI/SPRI ES-1 3.9.
3. Install in accordance with EXCEPTIONAL® Metals Detail #3110.
4. Any deviation from the requirements set forth in detail drawings must be pre-approved, in writing, by the EXCEPTIONAL Metals Technical Department.

Codes and Standards:

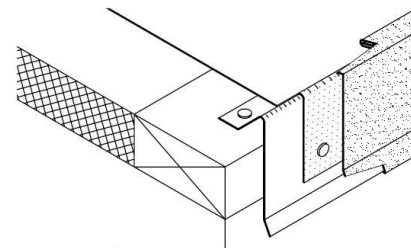
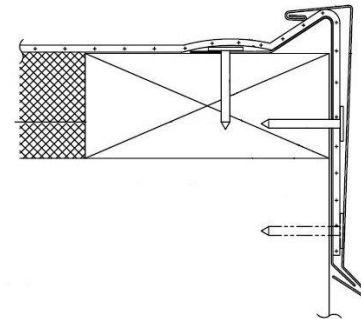
- ANSI/SPRI ES-1 Compliant with 3" – 8" base and cover.
- Meets TAS 111-95 Test with 4" and 6".
- FM Approval on 4" and 6".

Warranty:

EXCEPTIONAL Metals offers a finish and substrate warranty. Contact the membrane manufacturer for any additional warranty that may be offered.

Technical Services:

Product samples, detail sheets, color chips, and color chart are available for your submittal package. For assistance with questions or submittals, contact your local representative or call EXCEPTIONAL Metals.



Material	Gauge	Finish
Aluminum	.040	Mill or Kynar®
Stainless Steel	24-gauge	N/A
Bonderized Steel	24-gauge	N/A
Galvalume®	24-gauge	Mill or Kynar®
Copper	16 oz.	Mill