

# CONDUIT/ESCUTCHEON WASHER

## DESCRIPTION:

Duro-Last® Conduit/Escutcheon Washers are made to seal small round penetrations on vertical surfaces, such as parapet walls.

Conduit/Escutcheon Washers are manufactured from 1/4-inch (6.3 mm) thick recycled Duro-Last membrane and are available in white, gray and tan colors.

Conduit/Escutcheon Washers have a center hole of 1/2-inch (12.7 mm), 3/4-inch (19 mm) or 1-inch (25.4 mm) diameter. Each Conduit/Escutcheon Washer is predrilled with 3 holes for fastener positioning and securement.

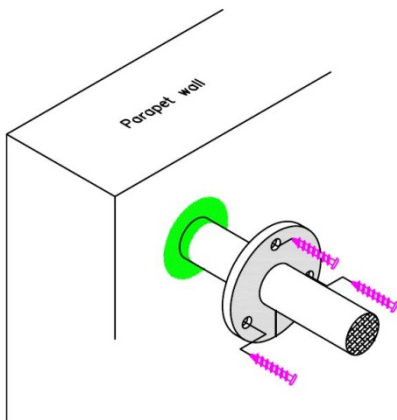
## ORDERING:

Conduit/Escutcheon Washers are ordered individually.

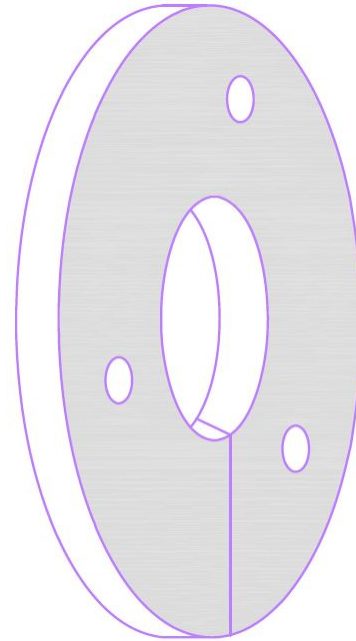
- 1/2-inch white (Item #1338)
- 1/2-inch gray (Item #1338G)
- 1/2-inch tan (Item #1338B)
- 3/4-inch white (Item #1337)
- 3/4-inch gray (Item #1337G)
- 3/4-inch tan (Item #1337B)
- 1-inch white (Item #1336)
- 1-inch gray (Item #1336G)
- 1-inch tan (Item #1336B)

## STORAGE AND HANDLING:

- Always store in a dry location protected from the elements.



Conduit/Escutcheon Washer  
(Install per Detail Drawing 4100)



## INSTALLATION:

1. Membrane must be installed on parapet wall prior to applying Conduit/Escutcheon Washer. Ensure that Conduit/Escutcheon Washer covers membrane by at least 1 inch.
2. Apply approved Duro-Last caulk on entire back surface of Conduit/Escutcheon Washer and around conduit.
3. Align splice on Conduit/Escutcheon Washer at bottom side of conduit. Attach Conduit/Escutcheon Washer with 3 approved Duro-Last fasteners through predrilled holes.
4. Apply approved Duro-Last caulk around conduit, around outside of Conduit/Escutcheon washer, and over the splice.
5. Refer to Detail Drawing 4100 for more installation information.

Note: This detail is only acceptable on vertical surfaces that are 8 inches or higher above the roof deck.